



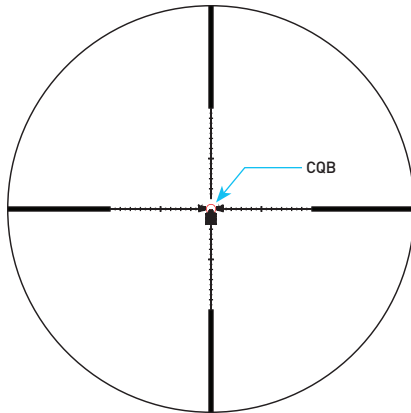
PLX[®] ***1-8x24***

**COMPACT FIRST FOCAL PLANE
ACSS[®] GRIFFIN MIL M8 - METERS
RETICLE MANUAL**

THE ACSS GRIFFIN MIL M8 RETICLE

The ACSS Griffin MIL M8 is an all-new reticle that is purpose-made for optics with a 1-8x magnification range. At 1x magnification, the ACSS Griffin MIL M8 appears as a bold horseshoe dot reticle with outlying ranging crosshairs. At 8x magnification, the fine details of the MIL grid come into view. The ACSS Griffin MIL M8 combines an infinitely precise center chevron and both vertical and horizontal ranging stadia for quick range estimation and target engagement.

1X Magnification



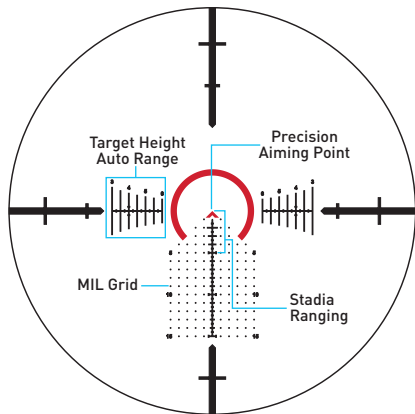
CLOSE QUARTERS USE

In close quarters, sight acquisition speed is paramount.

At low magnifications, the ACSS Griffin MIL M8 provides an agile horseshoe-dot aiming point with bold outer crosshairs for rapid target acquisition. Your optic's illumination settings will also improve visibility and contrast for consistent acquisition in split-second engagements.

As distance to target increases, the user can increase their magnification, bringing the ACSS Griffin MIL M8's full feature set into view.

8X Magnification



PRECISION RANGE SHOOTING

For enhanced precision, increase your scope's magnification and use the chevron tip as your point of aim. The chevron tip provides an infinitely small aiming point without obscuring the part of the target you want to hit for a fast yet very precise sight picture.

For further distances, ACSS Griffin MIL M8 includes a detailed MIL grid with built-in bullet drop compensation (BDC) for 5.56 NATO, .308 Win., 6.5 Creedmoor, and many other cartridges. The BDC starts at the tip of the chevron and ends at the 5th MIL stadia, which acts as an auto-ranging holdover for 600 meters.

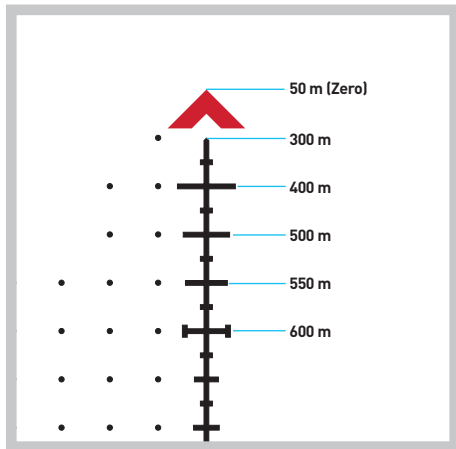
SETTING YOUR ZERO

For 5.56 loads, we recommend a 50-meter zero for best results.

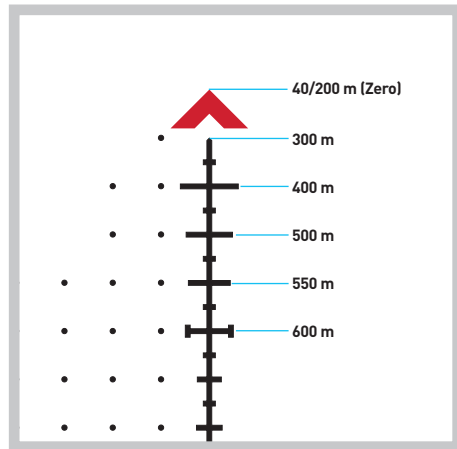
For .308 loads, we recommend a 40-meter (Near) or 200-meter (Far) zero.

To get the best results with any cartridge, use a ballistic calculator like Strelak Pro to find the optimal zero. The Griffin MIL Reticle can fit a wide variety of cartridges, but you may need to adjust your zero incrementally to ensure your projectile's trajectory aligns with the BDC/MIL stadia.

EXAMPLE ZERO: 5.56X45MM NATO



EXAMPLE ZERO: .308 WINCHESTER

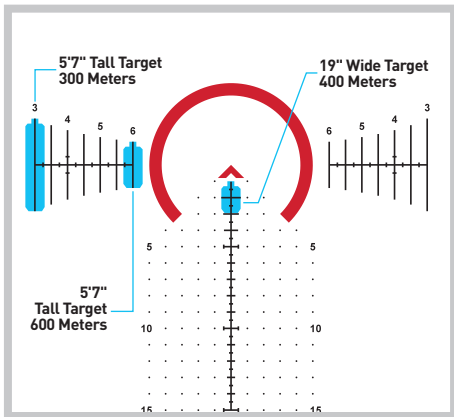


HOW TO ESTIMATE TARGET DISTANCE USING ACSS GRIFFIN MIL M8 RETICLE

Knowing the distance to your target is crucial in using the reticle effectively.

ACSS Griffin MIL M8 offers two methods of range estimation: auto-ranging and MIL ranging. The easiest method is using the reticle's auto-ranging tools, though you can also use the MIL grid itself.

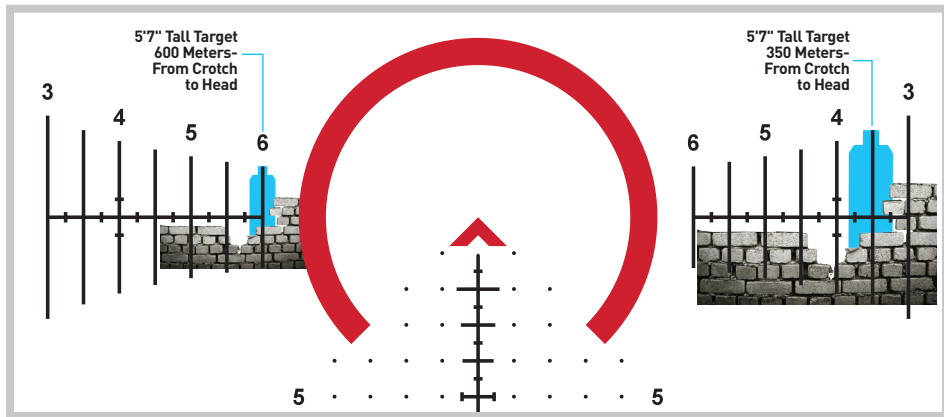
Since this is a first-focal plane reticle, you can perform ranging at any magnification, but using high magnification usually gives the best results.



TARGET AUTO-RANGING

The most efficient way of measuring a target's distance is through the reticle's built-in ranging stadia.

For horizontal stadia ranging, use the width of the chevron and lower MIL stadia to estimate your distance to target. Stadia ranging is calibrated for center mass on a 19"-wide target, such as the torso of a silhouette. At 300 meters, a 19" target will be the exact same width as the chevron. At 400, the target will be the same width as the 2nd MIL stadia. 500-meter and 550-meter targets will match the 3rd and 4th MIL stadia. 600-meter targets will be the same width as the 5th MIL stadia. Beyond this distance, MIL ranging will be necessary.



For vertical stadia ranging, use the height of the numbered stadia on the left and right crosshairs. These stadia are sized to match a 5'7" target at each of their numbered distances, making it easy to estimate a firing solution.

For example, if a 5'7" target matches the vertical stadia marked with an "6", your target is approximately 600 meters away.

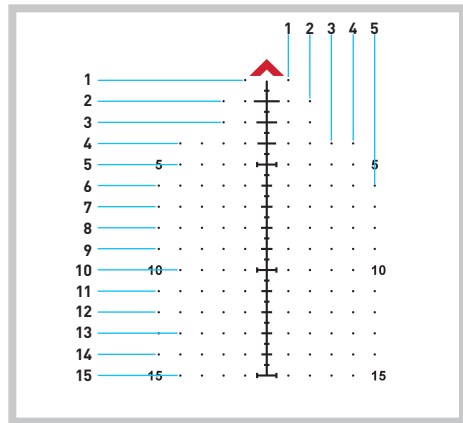
HOW TO USE MILS

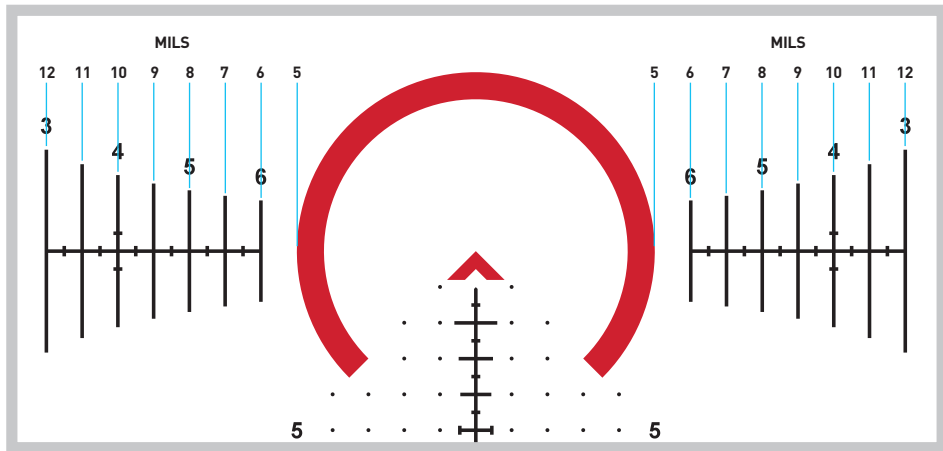
This reticle features MIL (Milliradian) stadia, which you can use to range targets and communicate with other marksmen or observers.

To range using MILs, estimate the height or width of your target. Once you have an estimated target size, find the size of the target in MILs by lining the target up with your MIL subtensions. Both your MIL grid and vertical ranging stadia have barbells to indicate 5 MIL increments.

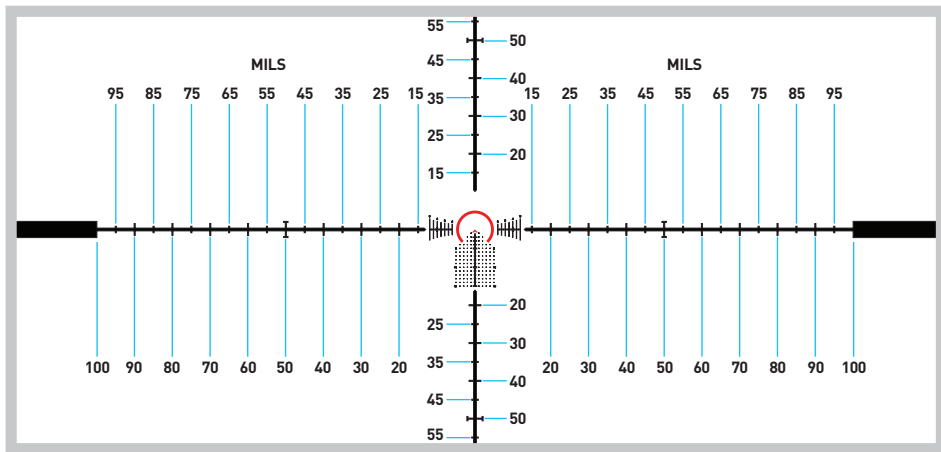
Depending on your preferred units of measure, you can use different formulae to calculate range estimates:

- **RANGE (METERS) =**
Target Size (Inches) * 25.4 / Target MILs
- **RANGE (METERS) =**
Target Size (Meters) * 1000 / Target MILs
- **RANGE (METERS) =**
Target Size (Centimeters) * 10 / Target MILs





At low magnification, the outer MIL crosshairs feature subtensions at 5 and 10 MIL increments. The 50 MIL stadia are marked with barbells for quick reference.





LIFETIME WARRANTY

Your Primary Arms PLx 1-8x24 compact rifle scope is covered by the Primary Arms Lifetime Warranty. If a defect due to materials or workmanship, or even normal wear and tear has caused your product to malfunction, Primary Arms will either repair or replace your product. You can find more details about our lifetime warranty at www.primaryarmsoptics.com.

Email: info@primaryarmsoptics.com
Toll-free at 855-774-2767
www.primaryarmsoptics.com

For more information:
<http://primaryarmsoptics.com/product-category/rifle-scopes/plx/>



© Copyright 2022 PRIMARY ARMS, LLC
is a registered trademark of PRIMARY ARMS, LLC
For Patent Information go to <https://goo.gl/2z62aS>